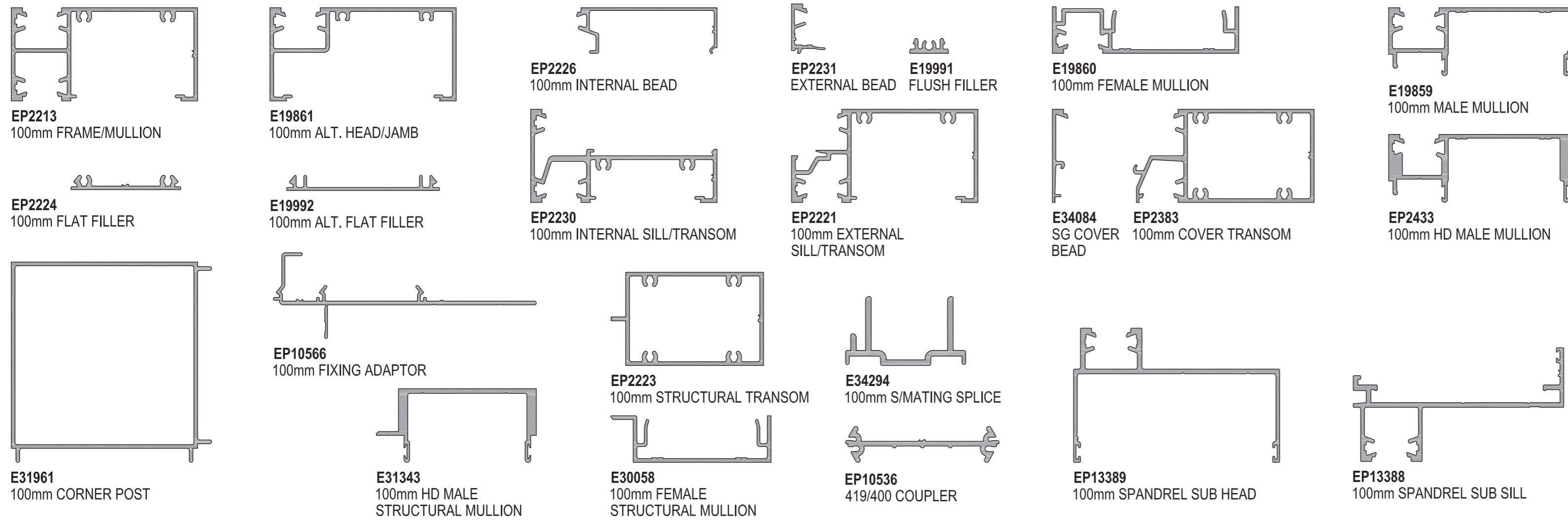
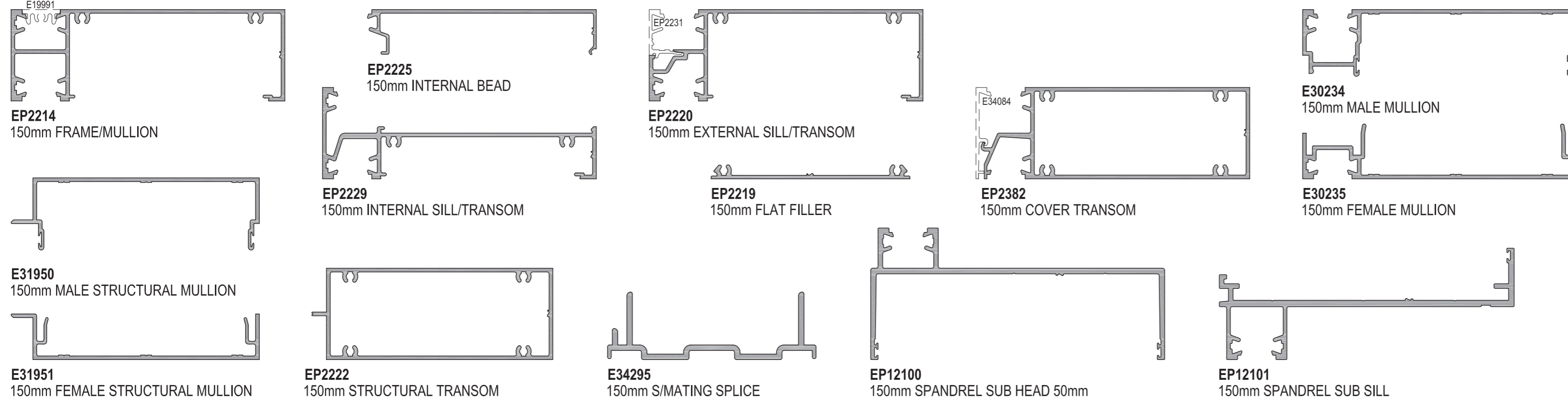


## 419 Flushline 100mm x 50mm single glazed frame

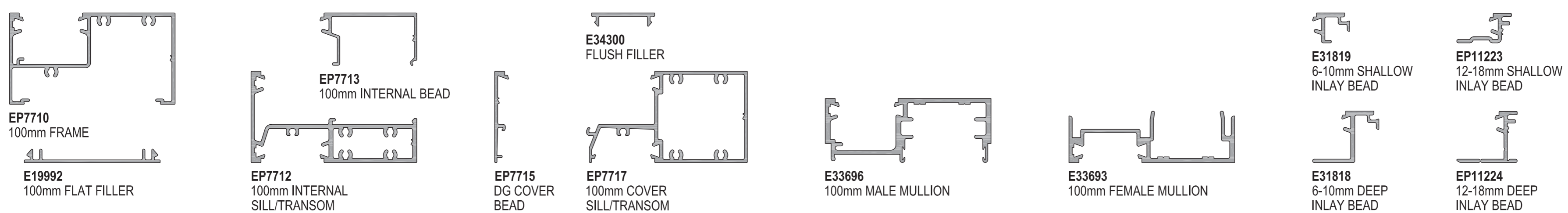


AGS 419  
flushline

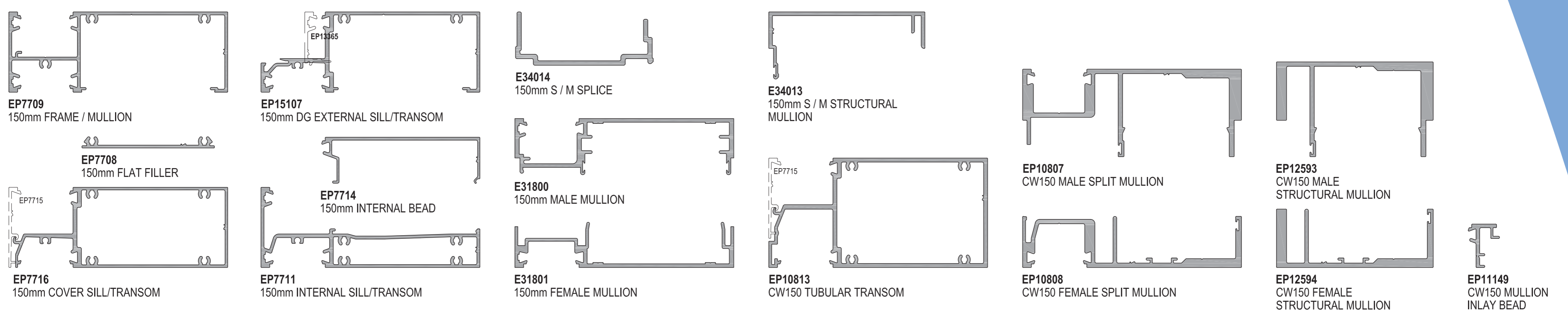
## 419 Flushline 150mm x 50mm single glazed frame



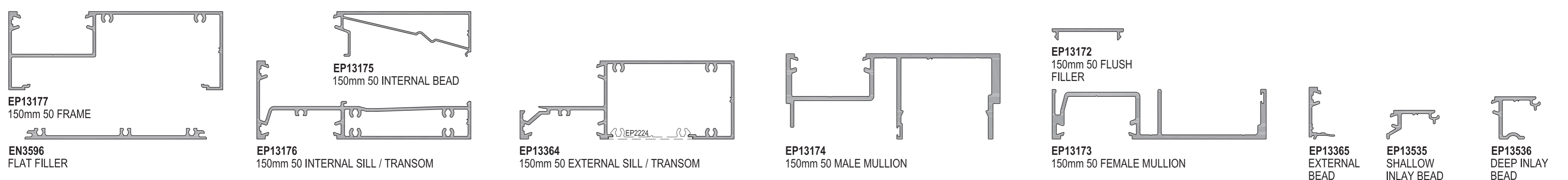
## 419 Flushline 100mm x 55mm double glazed frame



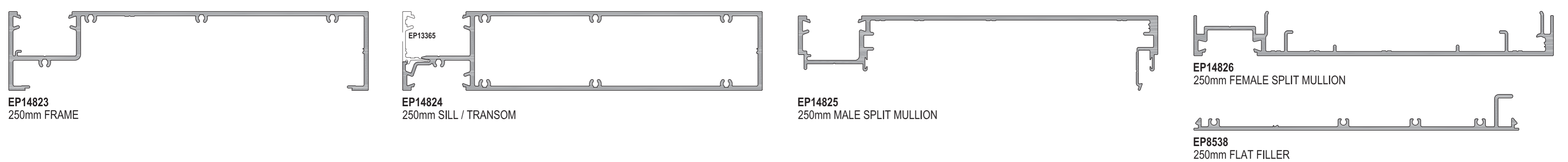
## 419 Flushline 150mm x 55mm double glazed frame



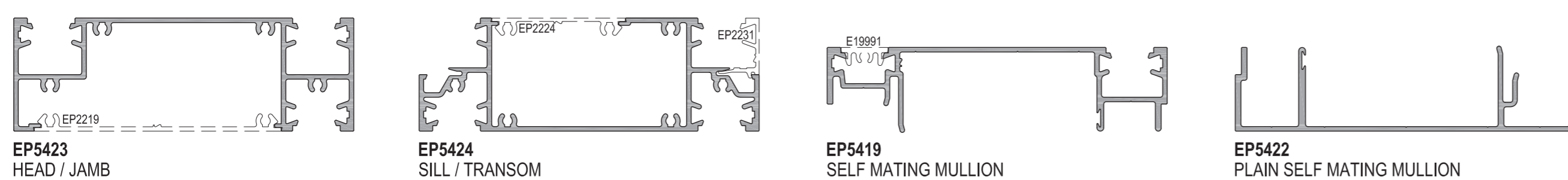
## 419 Flushline 150mm x 55mm double glazed wide pocket



## 419 Flushline 250mm x 55mm double glazed frame



## 419 Flushline 150mm x 50mm acoustic glazed frame



AGS

ARCHITECTURAL GLAZING SYSTEMS

CAPRAL  
ALUMINIUM

Scale: 1:2 at A1 or 1:4 at A3

Note: Not all sections pictured are stocked. R160421.

Copyright © 2016 Capral Aluminium Limited. All rights reserved. www.capral.com.au