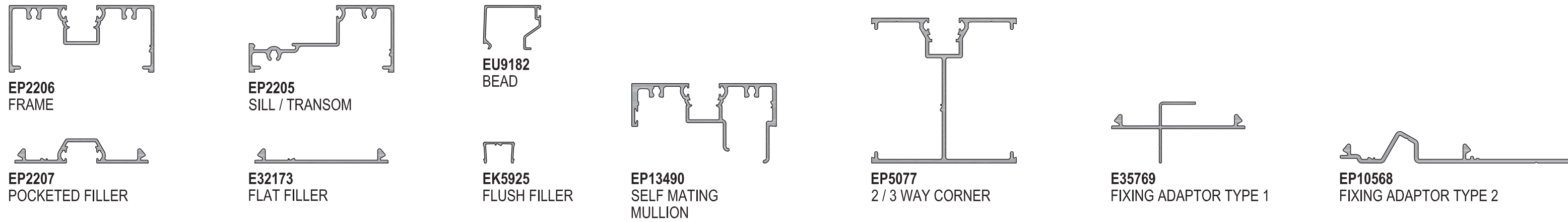


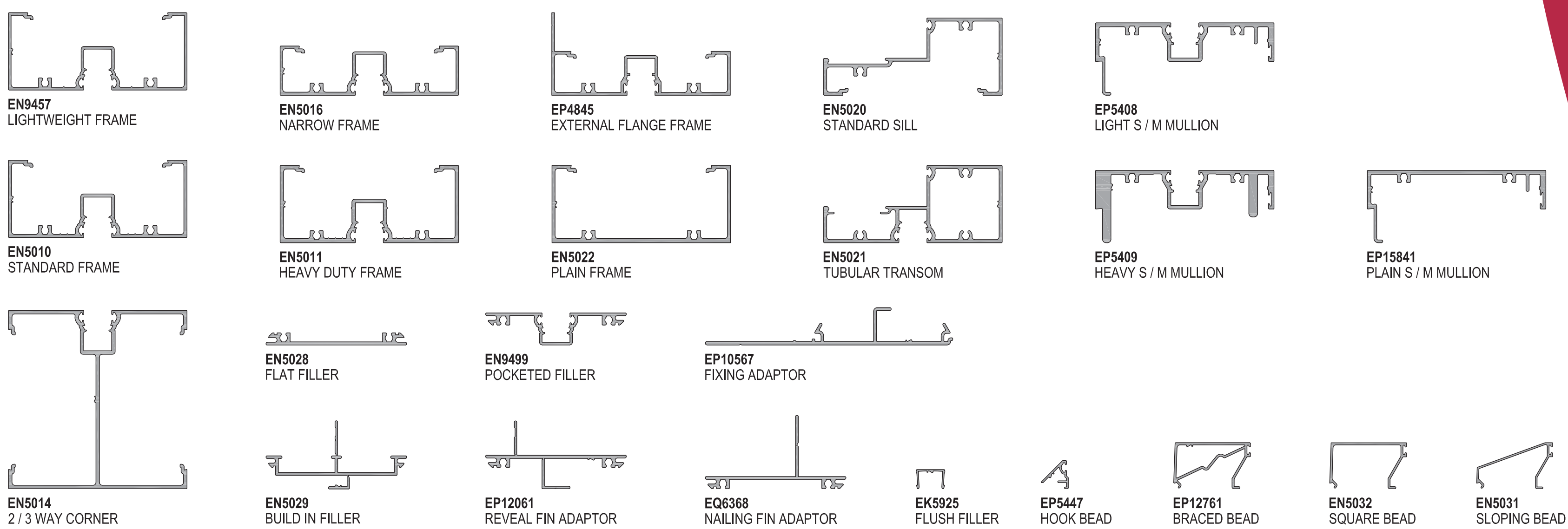
300 Narrowline 76 x 35mm single glazed frame



325 Narrowline 76 x 35mm double glazed frame

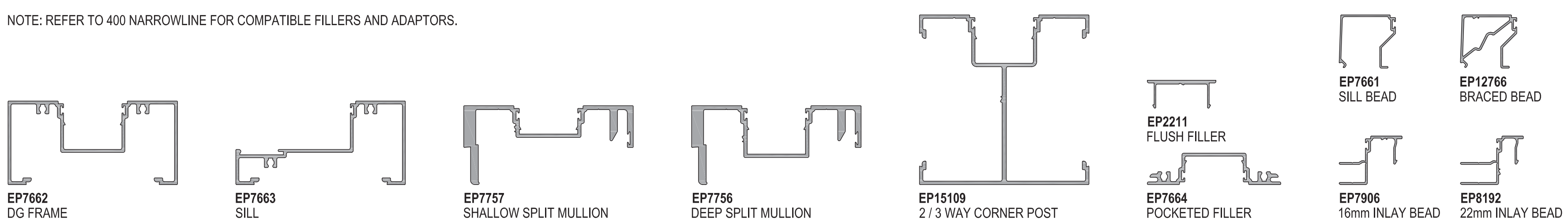


400 Narrowline 101.6 x 44mm single glazed frame



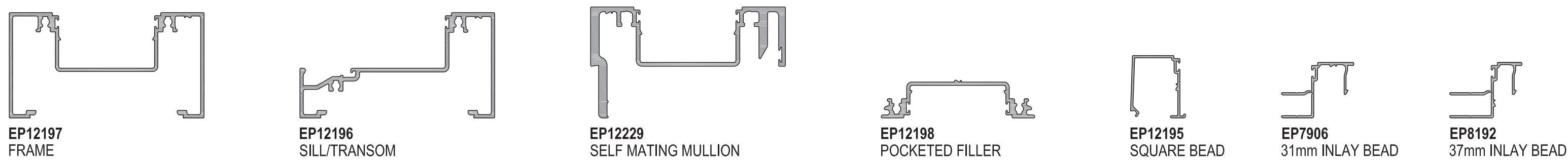
425 Narrowline 101.6 x 50mm double glazed frame

NOTE: REFER TO 400 NARROWLINE FOR COMPATIBLE FILLERS AND ADAPTORS.

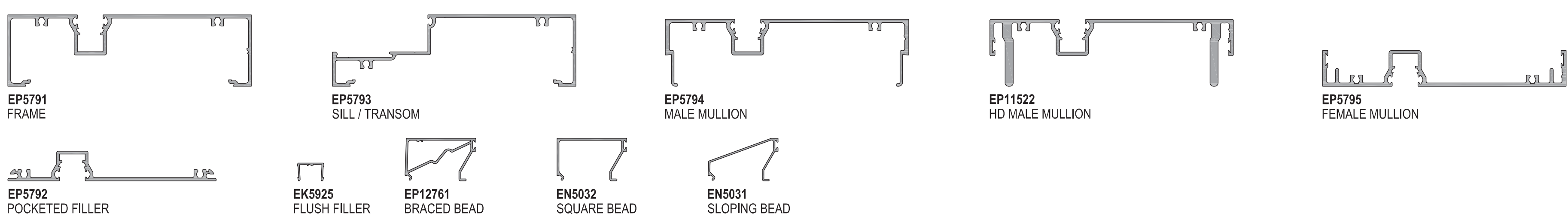


450 Narrowline 101.6 x 55mm wide pocket double glazed frame

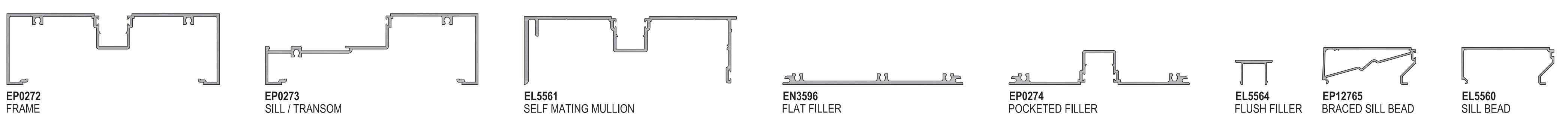
NOTE: REFER TO 400 NARROWLINE FOR COMPATIBLE FILLERS AND ADAPTORS.



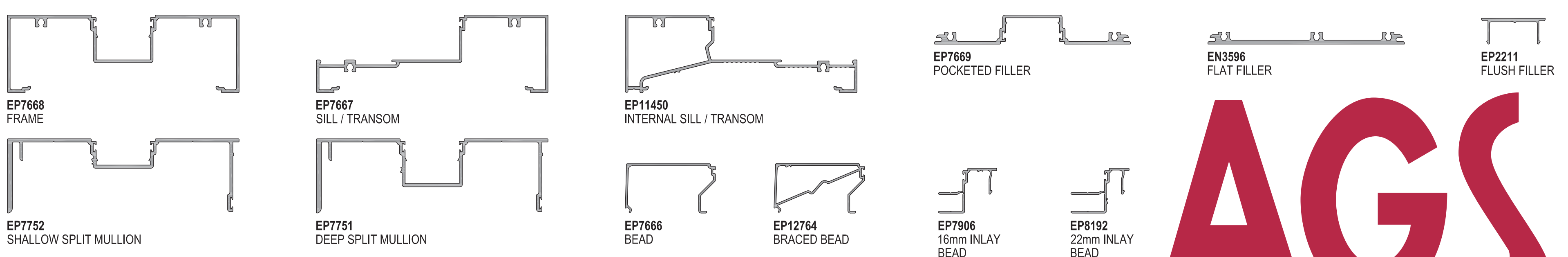
601 Narrowline 150 x 44mm offset single glazed frame



600 Narrowline 150 x 50mm single glazed frame



625 Narrowline 150 x 50mm double glazed frame



AGS
narrowline

AGS

ARCHITECTURAL GLAZING SYSTEMS

Scale: 1:2 at A1 or 1:4 at A3

Note: Not all sections pictured are stocked. R170301

Copyright © 2017 Capral Aluminium Limited. All rights reserved. www.capral.com.au

CAPRAL
ALUMINIUM